

SPECIFICATION

A: MATERIAL:

- 1.BODY: PA66 (WHITE)
- 2.TERMINAL: Cu PLATED Sn

B: CHARACTERISTICS:

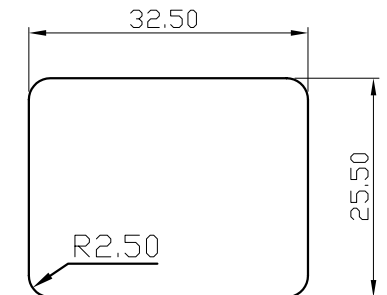
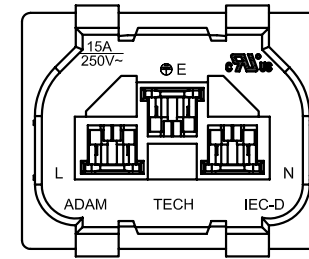
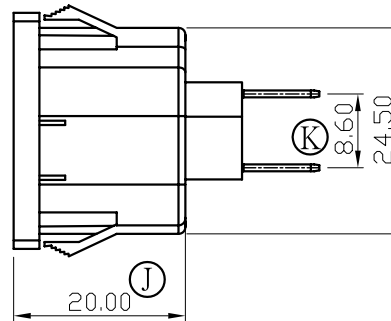
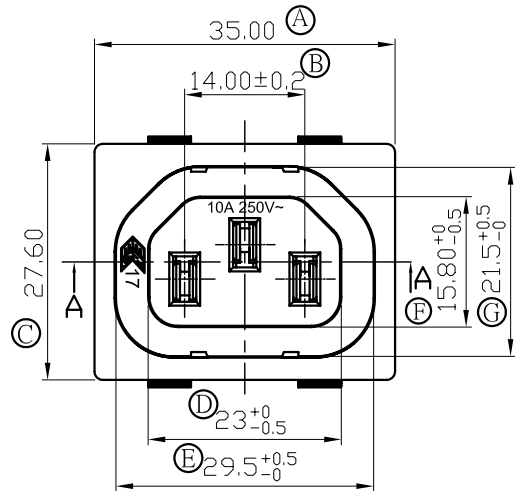
- 1.RATING: 15A 250V~(C-ULus)
10A 250V~(ENEC)
- 2.INSULATION RESISTANCE:100MΩ MIN,AT 500VDC
- 3.ELECTRIC STRENGTH : 3000 VAC/1MIN,LEAKAGE CURRENT UNDER 0.5mA

C.MECHANICAL:

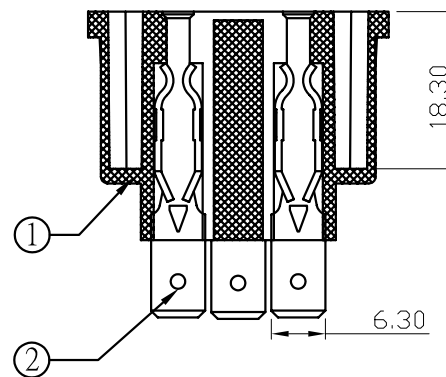
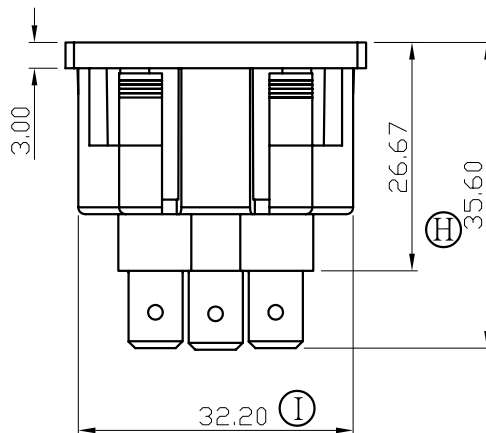
- 1.MATING PLUG EXTRACTION FORCE: 4.0KG EXTRACTION FORCE IS THE MINIMUM ACCEPTADLE

D: APPROVALS: C-ULus, ENEC

- E: MATERIAL USED MUST BE COMPLY WITH HQI-0010**
- F: CAN MEET ROHS**



RECOMMENDED PANEL CUT-OUT THICKNESS: 0.8mm-1.8mm



SECTION A-A

| TOLERANCES UNLESS OTHERWISE 未指定容許差尺寸之公差 | |
|--|-------|
| BASIC DIMENSIONS TOLERANCES | |
| UP TO 10 (10以下) | ±0.15 |
| ABOVE 10 TO 30(10~30) | ±0.3 |
| ABOVE 30 TO 100(30~100) | ±0.5 |
| ANGULAR DIMENSIONS(角度) | ±5° |
| DIMENSION UNIT | mm |

東莞市華之力電子有限公司 DONGGUAN HCR ELECTRONICS CO., LTD.

| 2 | | | | | 核准 APPROVED BY | AaronJin | 日期 DATE | 20121215 | 投影法 PROJECT | | 機型 PART NAME | OUTLET SOCKET | |
|----|------------|----------------------|----------|---------|-------------------|----------------|------------|------------|----------------|--------------|-----------------------|---------------|--------------------|
| 1 | | | | | 校對 CHECKED BY | RZTang | 日期 DATE | 20121215 | 比例 SCALE | 1:1 | 型號 PART NO | SK19 | |
| 0 | 2012/12/15 | 1.新制訂 | A0 | WeiChen | RZTang | 繪圖 DRAWN BY | WeiChen | 日期 DATE | 20121215 | 路徑 DWG NO | E:\成品圖 SK19\819007 | 料號 ITEM NO | SK19-0204030321(A) |
| NO | DATE | REVISION DESCRIPTION | REVISION | DRAWN | APPROVED | | | | | | | | |